

Technical data sheet



Product features

Food display island chilled GN 6-1/1 Hemlock

Model	SAP Code	00012103
--------------	-----------------	----------



- Buffet type: BLUE - cooled, dynamic cooling
- Device properties: Chilled
- Number of GN / EN: 6
- GN / EN size in device: GN 1/1
- GN device depth: 150
- Minimum device temperature [°C]: 4
- Maximum device temperature [°C]: 8

SAP Code	00012103	Loading	230 V / 1N - 50 Hz
Net Width [mm]	2144	Number of GN / EN	6
Net Depth [mm]	760	GN / EN size in device	GN 1/1
Net Height [mm]	1288	GN device depth	150
Net Weight [kg]	199.80	Minimum device temperature [°C]	4
Power electric [kW]	0.494	Maximum device temperature [°C]	8

Technical data sheet



Technical drawing

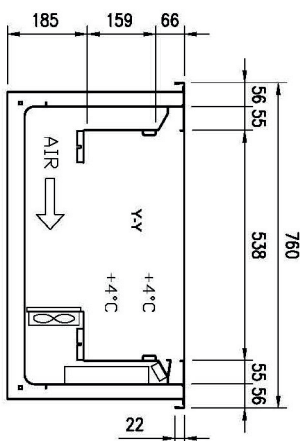
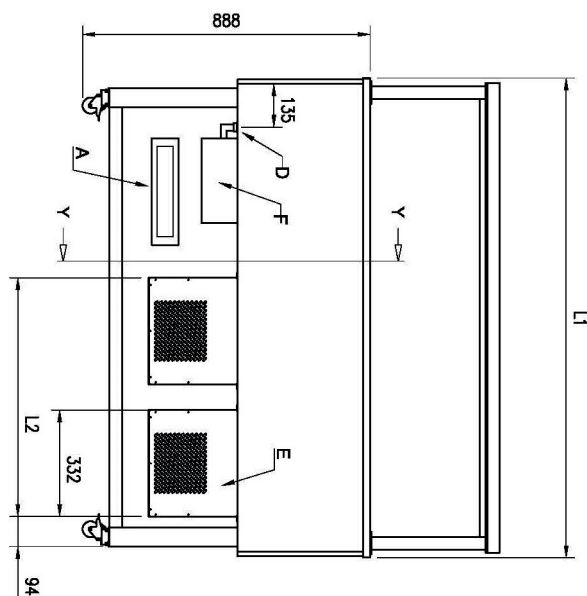
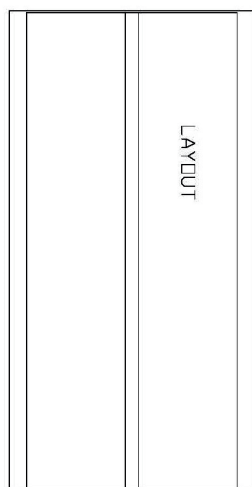
Food display island chilled GN 6-1/1 Hemlock

Model

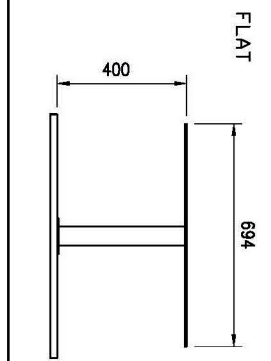
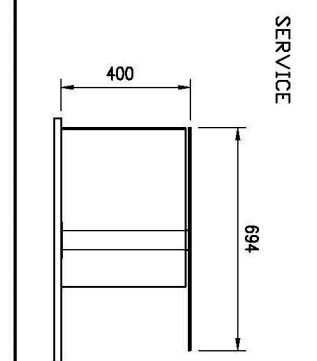
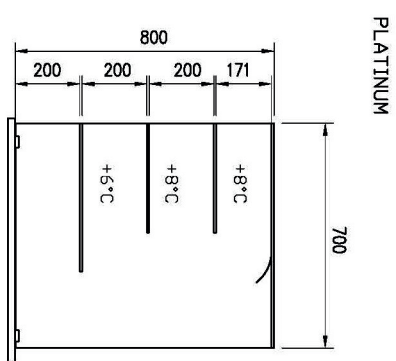
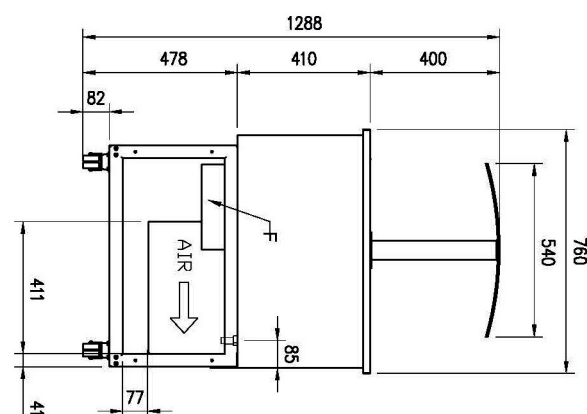
SAP Code

00012103

A= ELECTRICAL CONNECTION
 D= WATER DISCHARGE ø16
 E= GAS CONNECTION ø8 ø10
 F= WATER BOX



GN	L1	L2
4/1	1494	744
6/1	2144	1069



Food display island chilled GN 6-1/1 Hemlock

Model

SAP Code

00012103

1

Dynamic cooling

- constant temperature in all places of the refrigerated space
- greater hygienic safety of chilled food

2

Breathing screen with electric drive

- the possibility of easily covering the food
- higher hygienic safety
 - ease of use
 - attractiveness

3

LED lighting

- minimal energy consumption
- economical lighting
 - attractive appearance

4

Removable evaporator filter

- easy disassembly
- time saving for cleaning

5

All-stainless steel construction

- harmless to health for contact with food
robustness
- perfect sanitation
 - long service life

6

Rounded corners

- basins without sharp edges and corners
- higher hygienic safety
 - time saving due to easy cleaning

7

GN insertion up to 15mm

- variability of use
- possibility of cooling different types of food and larger volumes
 - saving time, space, costs

8

Travel wheels

- portable buffet table
- greater flexibility in dispensing
 - possibility of use at banquets
 - easier and safer handling

9

Breathing galley with trigger

- galerka made of hygienic Plexiglas with motorized displacement
- hygienic food protection
 - the possibility of sealing before dispensing - extending the shelf life of food

Technical data sheet



Technical parameters

Food display island chilled GN 6-1/1 Hemlock

Model	SAP Code	00012103
--------------	-----------------	----------

1. SAP Code:

00012103

2. Net Width [mm]:

2144

3. Net Depth [mm]:

760

4. Net Height [mm]:

1288

5. Net Weight [kg]:

199.80

6. Gross Width [mm]:

2208

7. Gross depth [mm]:

1012

8. Gross Height [mm]:

1100

9. Gross Weight [kg]:

220.00

10. Device type:

Electric unit

11. Buffet type:

BLUE - cooled, dynamic cooling

12. Device properties:

Chilled

13. Exterior color of the device:

Hemlock

14. Power electric [kW]:

0.494

15. Loading:

230 V / 1N - 50 Hz

16. Number of GN / EN:

6

17. GN / EN size in device:

GN 1/1

18. GN device depth:

150

19. Minimum device temperature [°C]:

4

20. Maximum device temperature [°C]:

8

21. Interior lighting:

No